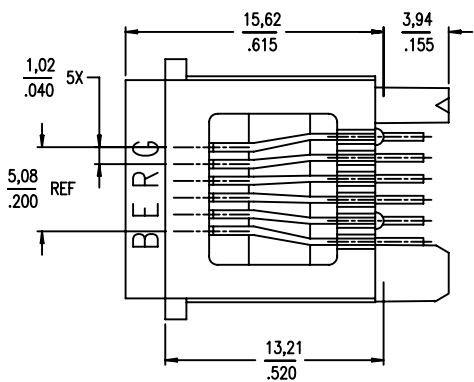


Tous droits strictement réservés. Reproduction ou communication à des tiers sans autorisation écrite du propriétaire. Property of c BERG ELECTRONICS. Droits de reproduction BERG ELECTRONICS by  
 All rights strictly reserved. Reproduction or issue to third parties in any form whatsoever is not permitted without written authority from the proprietor. Property of c BERG ELECTRONICS. Copyright BERG ELECTRONICS by

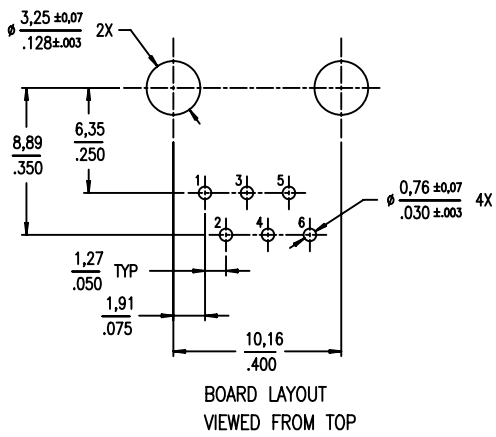
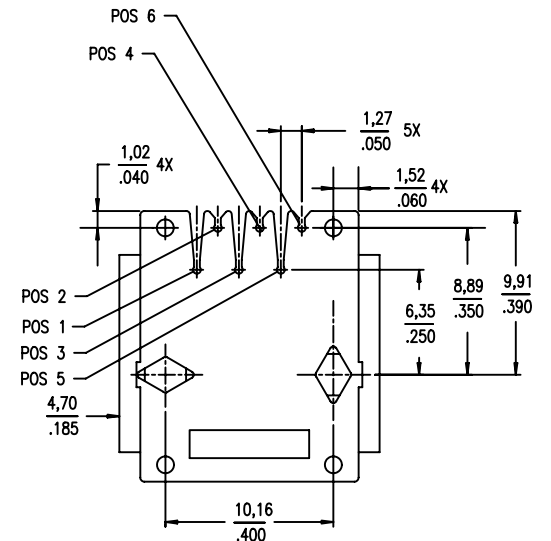
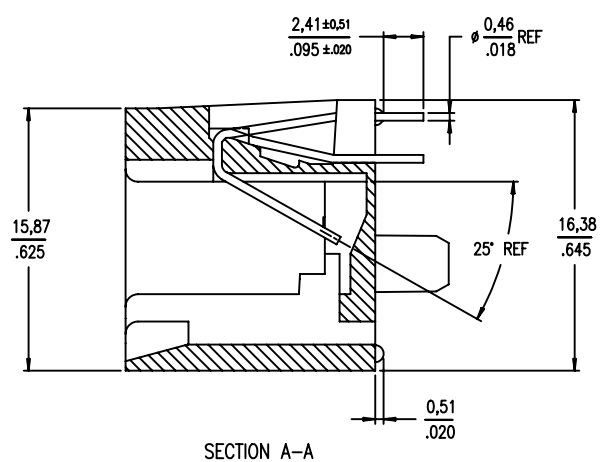
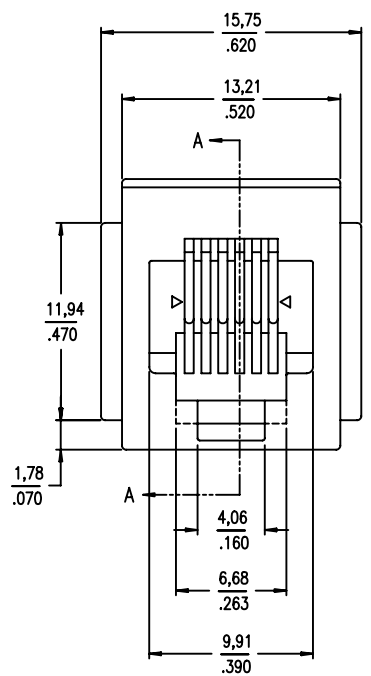
PRODUCT NO.	POSITIONS LOADED	CONTACT PLATING	HSG COLOR	NOTES
90520-001 -001LF	ALL	30u" GXT	BLACK	NOTE 1
90520-002 -002LF	2,3,4,5			NOTE 1
90520-003 -003LF	ALL			-
90520-004 -004LF	2,3,4,5			-

LEAD FREE PRODUCT NO.



NOTES :

- ① SPECIAL PACKAGING.
- 2 GXT IS 0.76um / 30u" MIN GXT WITH Au FLASH OVER  
1.27um / 50u" MIN Ni.
- 3 THIS PRODUCT MEETS EUROPEAN UNION DIRECTIVE AND OTHER COUNTRY REGULATIONS AS DESCRIBED IN GS-22-008
- 4 THE HOUSING WILL WITHSTAND EXPOSURE TO 260°C PEAK TEMPERATURE FOR 10 SECONDS IN A WAVE SOLDER APPLICATION WITH A 1.57mm MINIMUM THICK CIRCUIT BOARD
- 5 IF LF P/N PACKAGING MEETS GS-14-920 SPECIFICATION



mat'l code		tolerance unless otherwise specified		CUSTOMER COPY		FCJ		
rev.	ecn no.	dr	date	linear	.0 ± 0.30	projection	title	
A	S10097	FPL/UEW	02/04/91		.00 ± 0.13			SP/SW 6 POS VERTICAL PCB MOD JACK ASSY
B	S20252	ERIC C.	08/09/92		.000 ± 0.05			
C	T70458	C L	10/21/97	angles ± 2°	product family	MOD JACK	code	
D	N04-0102	YS	11/23/04	dr				CATHY LIN
E	N08-0064	SH	05/05/08	enr	TONY CHIEN	10/21/97	scale	3 : 1
				chr	TONY CHIEN	10/21/97	size	A3
				appd	JENN TSAO	10/21/97	dwg no.	90520
sheet	revision	D						
index	sheet	1						